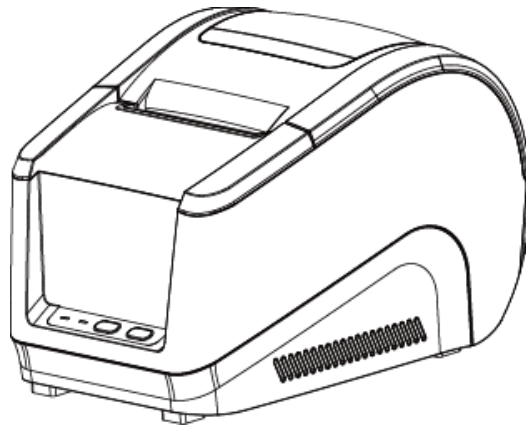
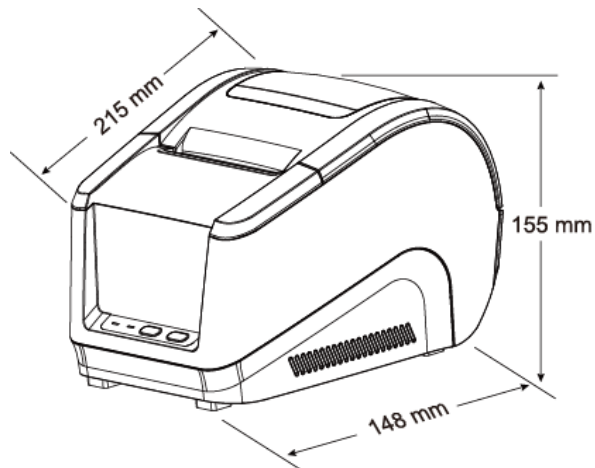


**80 mm Thermal Direct
1D & 2D Barcode Label Printer**

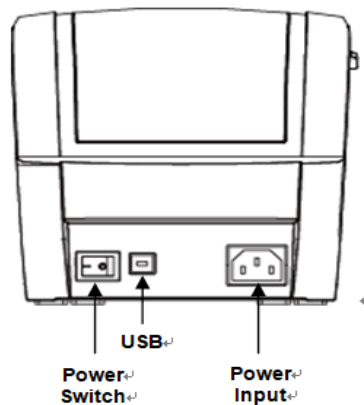
BLP-300



- **Dimensions**



- **Interfaces**



- Specifications

Model		BLP-300
Print Capabilities		
Print Method		Thermal Direct
Print Speed		2~5 inches/sec
Print Head Lifecycle		50 Km
Print Resolution		203 dots/inch(8dots/mm)
Maximum Print Width		76mm
Maximum Print Length		---
Print Font Character Support		English, Simplified Chinese, Traditional Chinese, Korean
Barcode Support	1D	CODABAR, CODE 39, CODE 93, CODE 128, EAN-8, EAN-8+2, EAN-8+5, EAN-13, EAN-13+2, EAN-13+5, EAN-14, EAN-128, ITF-14, ITF 2/5, MSI, MSIC, PLESSEY, POSTNET, UPC-A, UPC-A+2, UPC-A+5, UPC-E, UPC-E+2, UPC-E+5, China Postage
	2D	QR Code
Image Printing Format		BMP, PCX
Rotate Degree		Yes (0, 90, 180, 270 degrees selectable)
interface		USB 2.0, Parallel, RS-232 (DB9 Female)
System Support		Win 7, Win 8, Win 10
General		
Power Input		+24VDC/2.5A (Internal Adapter 100~240VAC 50/60Hz)
Color		White
Material		ABS
Compliance		FCC / CE / WEEE / RoHS
Weight		1.4 Kg
Dimension (mm)		215(L) x 148(W) x 155(H)
Operating Temperature		5°C~45°C
Operating Humidity		25% ~ 85% RH non-condensing
Storage Temperature		-10°C~ 50°C
Storage Humidity		10% ~ 90% RH non-condensing
Print Media		
Media Type		Continuous Paper, Label Sticker, fan-fold, ...etc.
Media Width		25mm~82mm
Media Roll Diameter		100 mm (max.)
Media Roll Axis Diameter		25 mm (min.)

Note:

The Media Roll Axis should be no less than minimum Axis Diameter or it may not be able to install to the Holder Set.

* All specifications are subject to change without prior notice

Fametech Inc.

12F-8, NO.237, Sec.1, Datong Rd., Xizhi Dist., New Taipei City 221, Taiwan
Tel: +886-2-8692-2060 Fax: +886-2-8692-2061 info@fametech.com.tw

